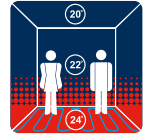


UNDERFLOOR HEATING

Wiring Centre Guide



GS UNDERFLOOR
HEATING

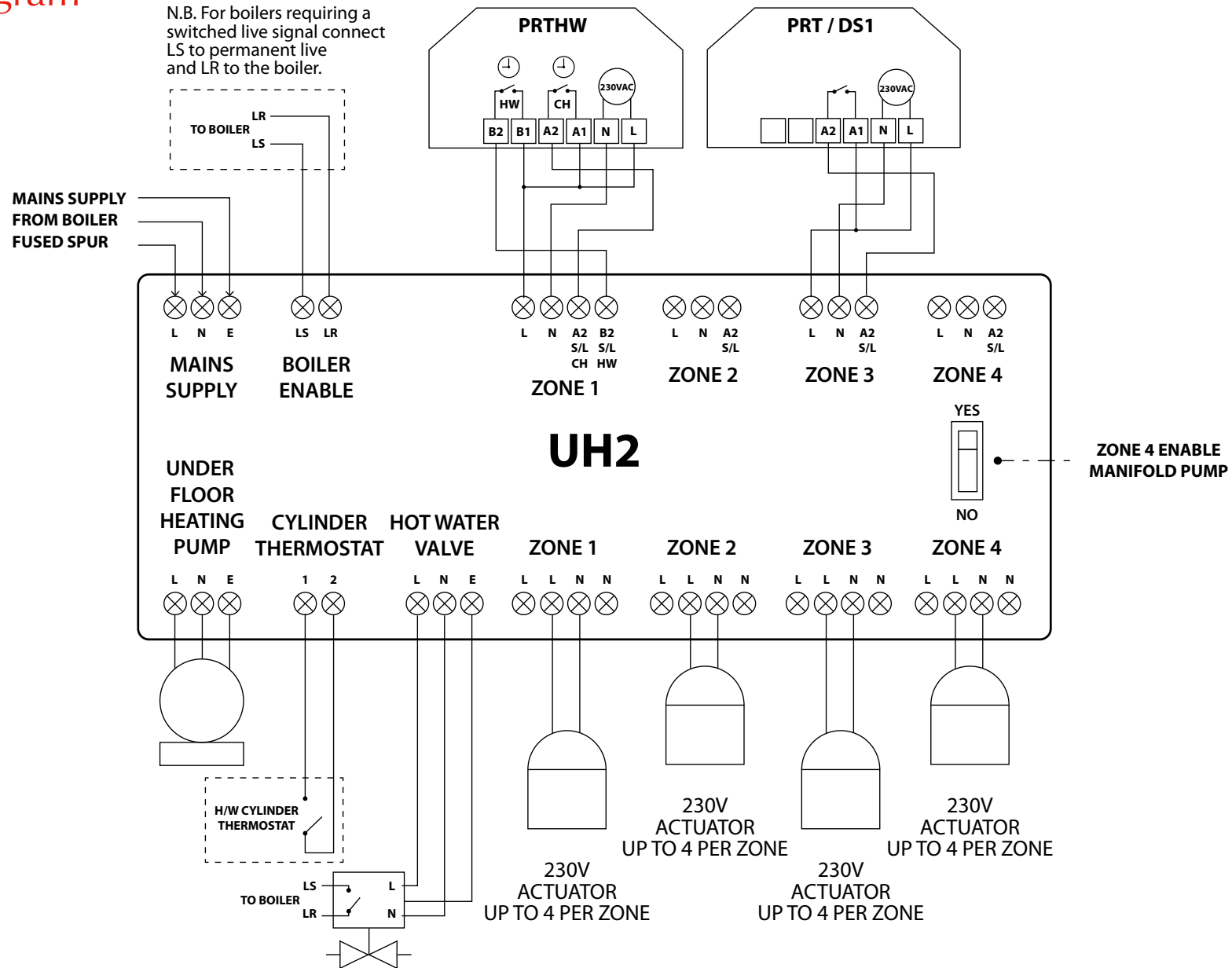


MODEL: UH2

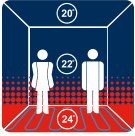
t: 01923 249026 m: 07941 169635 w: www.gs-ufh.co.uk e: gs@warmfloors.co.uk

GS UNDERFLOOR HEATING LTD. | 14 The Gateway - London - WD18 7HW

Wiring Diagram



This equipment should be installed by an appropriately qualified / registered electrician.
 Ensure all wiring is correct before applying power.
 The warranty does not cover any damages caused by incorrect wiring and installation.



GS UNDERFLOOR
HEATING

Products commonly used with UH2 Wiring Centre:



Slimline Thermostat



Multizone Touchpad

Other Wiring Centres:



UH1



UH1W



UH3



VISIT OUR WEBSITE FOR MORE INFORMATION

t: 01923 249026 m: 07941 169635 w: www.gs-ufh.co.uk e: gs@warmfloors.co.uk

GS UNDERFLOOR HEATING LTD. | 14 The Gateway – London – WD18 7HW