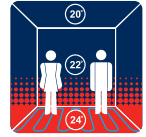


UNDERFLOOR HEATING

# Wiring Centre Guide



GS UNDERFLOOR  
HEATING



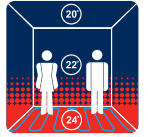
**MODEL: UH1**

t: 01923 249026 m: 07941 169635 w: [www.gs-ufh.co.uk](http://www.gs-ufh.co.uk) e: [gs@warmfloors.co.uk](mailto:gs@warmfloors.co.uk)

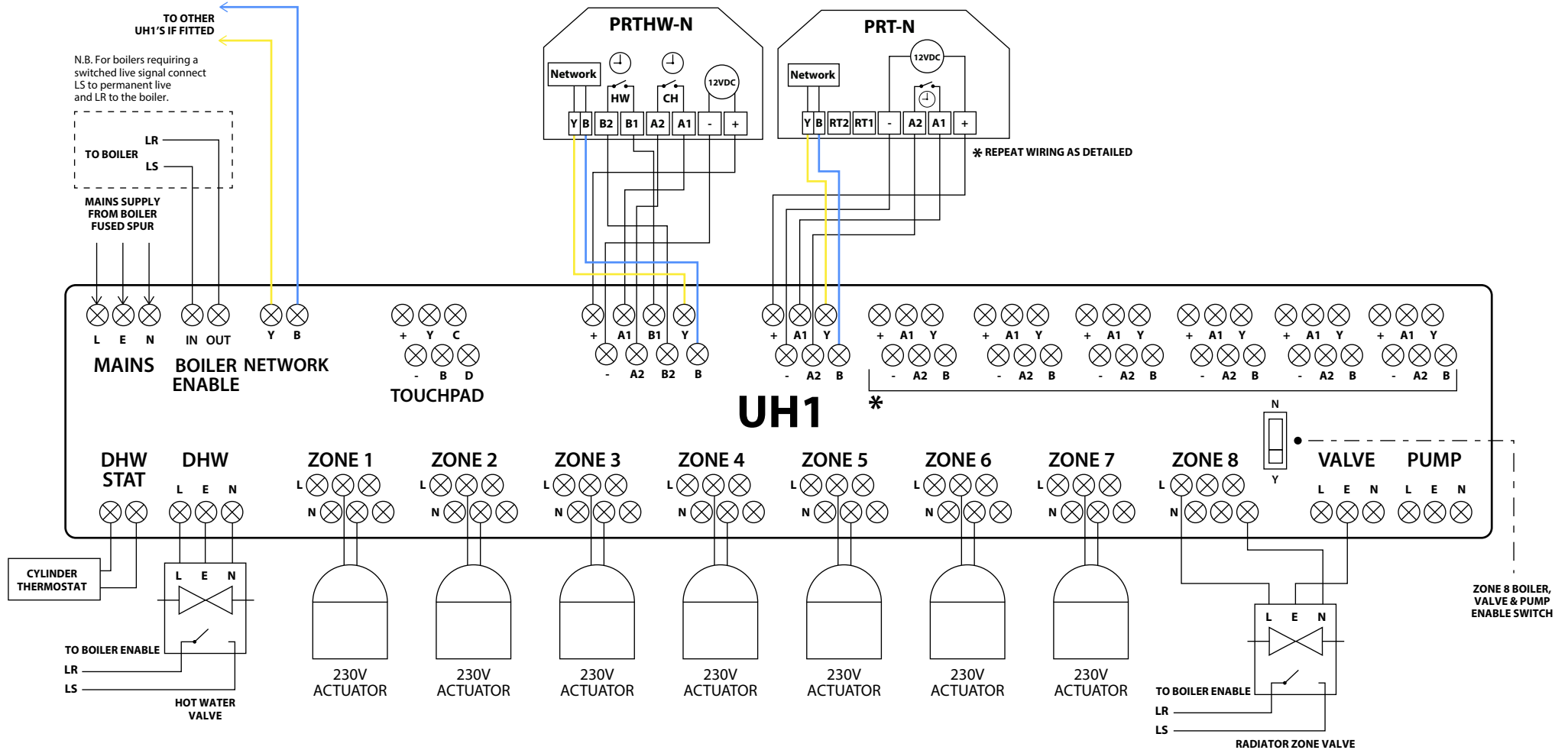
GS UNDERFLOOR HEATING LTD. | 14 The Gateway - London - WD18 7HW

# Wiring Diagram

## BASIC SYSTEM WITH HOT WATER



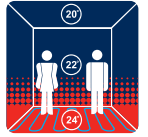
GS UNDERFLOOR HEATING



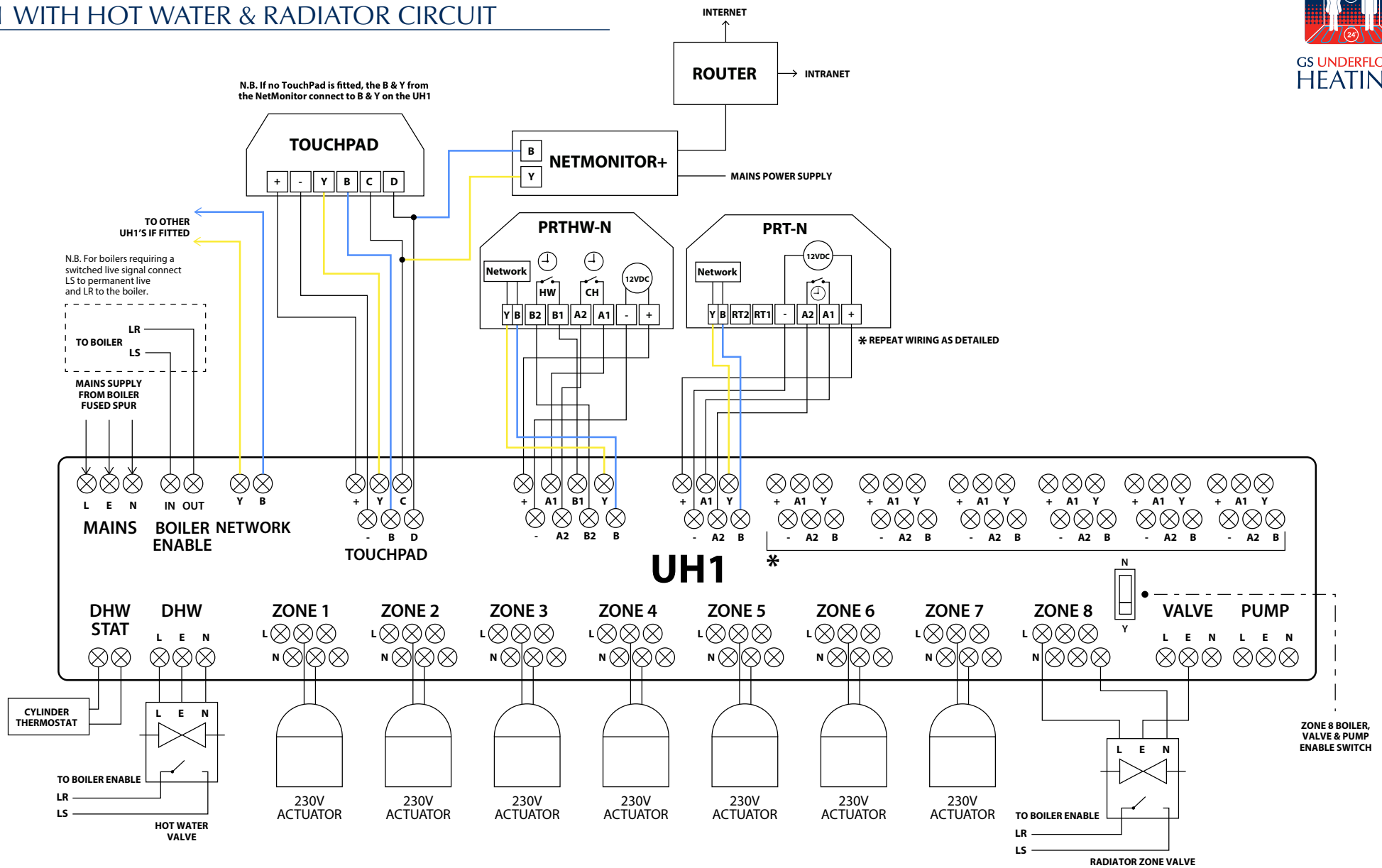
This equipment should be installed by an appropriately qualified / registered electrician.  
Ensure all wiring is correct before applying power.  
The warranty does not cover any damages caused by incorrect wiring and installation.

# Wiring Diagram

## UH1 WITH HOT WATER & RADIATOR CIRCUIT



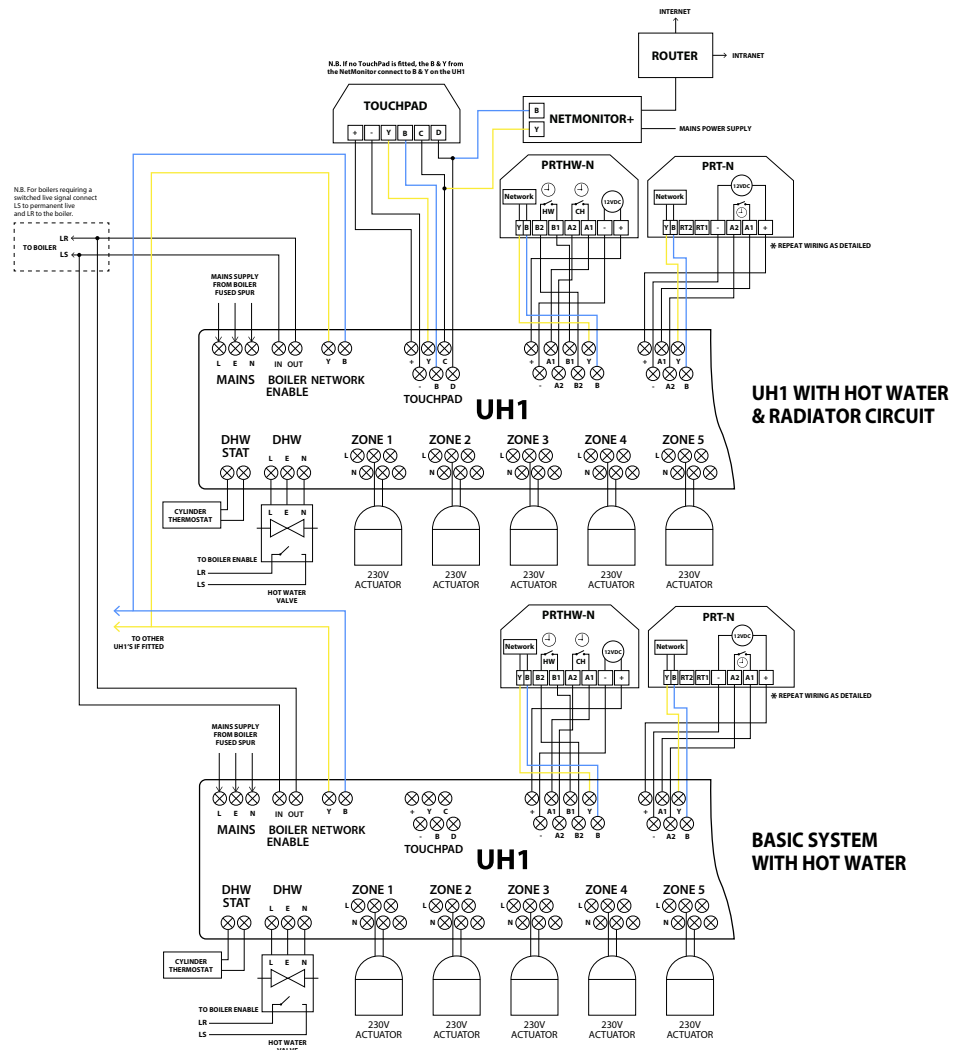
GS UNDERFLOOR HEATING



This equipment should be installed by an appropriately qualified / registered electrician.  
Ensure all wiring is correct before applying power.  
The warranty does not cover any damages caused by incorrect wiring and installation.

# Wiring Diagram

## CONNECTING MULTIPLE UH1'S



This equipment should be installed by an appropriately qualified / registered electrician.  
Ensure all wiring is correct before applying power.  
The warranty does not cover any damages caused by incorrect wiring and installation.

## WIRING THE UH1

### Using BELDEN 9538 cable on the GSUFH Network

When using this cable make sure the shield drain wire (the silver unshielded wire) is connected to earth at the UH1.

### Using CAT5-FTP cable on the GSUFH Network

Generally CAT5 cable comes in 3 types:

1. CAT5-UTP unshielded
2. CAT5-FTP shielded lower cost
3. CAT5-STP shielded higher cost

### For the GSUFH network you should use CAT5-FTP - This is SHIELDED CAT5 OR CAT5E

FTP stands for foil screened twisted pair

The network uses digital communications to talk between the thermostats and Touchpad or NetMonitor (+).

This digital comms line needs to be protected from interference and the CAT5-FTP does this in 2 ways:

1. The cable is shielded from outside interference
2. The cables are twisted around each other in pairs

Connect as follows:

Brown to +	Brown/white to -
Blue to B	Blue/white to Y
Orange to A1	Orange/white to A2
Green to B1	Green/white to B2

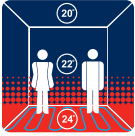
(PRT/HW-N and PRT/HW-NTS only)

Each set of connections forms a twisted pair in the cable cancelling out any interference to or from the cables.

If your cable colours are different, make sure you use a twisted pair for each of the following:

1. + & -
2. A1 & A2
3. B1 & B2
4. Y & B

When using this cable make sure the shield drain wire (the silver unshielded wire) is connected to earth at the UH1 end.



GS UNDERFLOOR  
HEATING

## Products commonly used with UH1 Wiring Centre:



Slimline Thermostat



Multizone Touchpad

## Other Wiring Centres:



UH1-W



UH2



UH3



VISIT OUR WEBSITE FOR MORE INFORMATION

t: 01923 249026 m: 07941 169635 w: [www.gs-ufh.co.uk](http://www.gs-ufh.co.uk) e: [gs@warmfloors.co.uk](mailto:gs@warmfloors.co.uk)

GS UNDERFLOOR HEATING LTD. | 14 The Gateway – London – WD18 7HW